

NIKKEN® Discover it. Live it.

**PIMAG™ DELUXE
UNDER COUNTER WATER SYSTEM /
SYSTÈME D'EAU PIMAG™
DELUXE SOUS LE COMPTOIR /
SISTEMA DE AGUA PIMAG™ DELUXE PARA
ABAJO DEL MOSTRADOR DE LA COCINA**

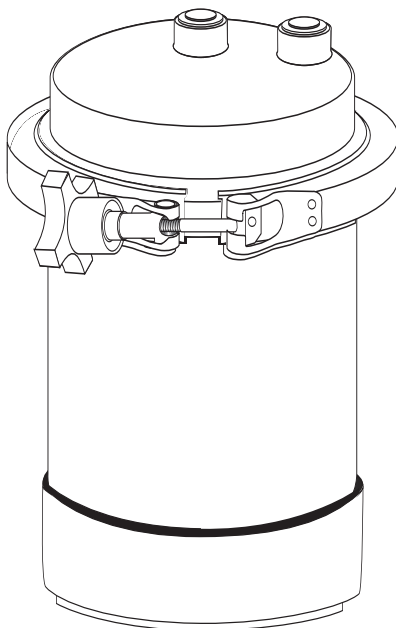
MODEL / MODÈLE / MODELO: 13151



System Tested and Certified by NSF International to NSF/ANSI Standard 42 for the reduction of Chlorine, Taste and Odor, and Particulate Class I and NSF/ANSI Standard 53 for Cysts, Lead, VOC, Turbidity and MTBE.

Système testé et certifié par la NSF internationale pour les Standards 42 NSF/ANSI pour la réduction du chlore, du goût et de l'odeur, et pour les particules de Classe I et les Standards 53 NSF/ANSI pour les kystes, le plomb, COV, la turbidité et MTBE (oxyde de méthylène et de tert-butyle).

Sistema probado y certificado por NSF International en relación con la norma NSF/ANSI 42 referida a la reducción del cloro, el sabor, el olor y las partículas de Clase I y la norma NSF/ANSI 53 referida a la reducción de quistes, plomo, compuestos orgánicos volátiles (VOC), turbiedad y metil terbutil éter (MTBE).



**INSTRUCTION MANUAL / MODE D'EMPLOI /
MANUAL DE INSTRUCCIONES**

CONTENTS

Product introduction3
Important use guidelines4
Setup and installation5
Installing the unit	
Maintenance	
Replacing the filter cartridge and battery8
Troubleshooting10

PRODUCT INTRODUCTION

Congratulations! In purchasing your Nikken® PiMag Deluxe Under Counter Water System you have taken an important step in providing a safer, healthier living environment for you and your family. This product has several advanced features:

- Multistage filtration provides a defense against the broadest range of tap water contaminants and substances common to municipal water supplies. It offers an unsurpassed level of performance in the reduction of volatile organic compounds, lead, cysts, MTBE, turbidity, chlorine, bad tastes, odors and particulate matter.
- PiMag technology uses the principles discovered by scientists in Japan more than 30 years ago, to replicate the environmental conditions that transform ordinary water into the “water of life.” PiMag water helps restore the natural balance of fluids that plants, animals and humans are composed of internally, for optimal health.
- The system’s compact dimensions allow it to fit invisibly underneath your sink, so that counter space and aesthetics are not affected. Yet its design makes replacing the simple, one-piece filter and PiMag cartridge quick and easy.
- The unit features its own faucet (included) for effortless selection between your tap water and PiMag water. Access to tap water for non-consumable uses also helps extend the life of the system’s filter.
- A state-of-the-art electronic filter life indicator lets you know when cartridge replacement is required.
- The system conforms to NSF/ANSI 42 and 53 for the specific performance claims as verified and substantiated by test data.

The PiMag Deluxe Under Counter Water System is ideal for all your household water needs — drinking, cooking, even watering your plants. It delivers a clean, fresh, great taste — at a fraction of the cost of bottled water.

IMPORTANT USE GUIDELINES

1. Read this manual completely before attempting to install or use the PiMag Deluxe Under Counter Water System.
2. Do not use with water that is microbiologically unsafe or of unknown quality without adequate disinfection before or after the system. Systems certified for cyst reduction may be used with disinfected water that may contain filterable cysts.
3. Individuals requiring specific microbiological purity should consult their physician.
4. For use on cold, potable water supplies only.
5. For this unit to perform as represented in the performance data sheet, use only Nikken® PiMag Deluxe filter cartridges, Item #13152.
6. This system must be protected from freezing. Failure to do so may result in loss of performance, damage to the parts and water leakage.
7. Installation of this product must comply with all state and local laws and regulations. Refer to your local agencies for details.
8. The contaminants or other substances removed or reduced by this water treatment system are not necessarily in all users' water.

MASSACHUSETTS RESIDENTS PLEASE NOTE:

The Commonwealth of Massachusetts Plumbing Code 248CMR shall be adhered to. A licensed plumber shall be used for the installation of this product.

OPERATING SPECIFICATIONS

Model	PiMag Deluxe Under Counter Water System — #13151
Use	Potable, cold water only
Dimensions	10.8" x 6.3" (27.43 x 16 cm)
Rated Service Flow	0.75 gal/min (2.84 L/min)
Rated Capacity	800 gallons US (3028 liters)
Working Pressure	Maximum: 125 psi (862 kPa), Minimum: 30 psi (207 kPa)
Operating Temperature	Maximum: 100°F (37.8° C), Minimum: 34°F (1° C)
Cartridge Replacement	Item No. 13152

BASIC TOOLS REQUIRED (NOT SUPPLIED)

Instructions for drilling a hole in your sink (if required) are included in this manual.

- Utility knife
- Ruler
- Pencil
- Hammer
- Masking tape
- 5/8" drill bit
- Punch
- Drill
- Wrenches – 1/2" & 9/16"
- Screwdrivers – flat & Phillips
- Eye protection

If you are hesitant to drill a hole in your sink, or if you lack the proper tools, consult a licensed plumber in your area for installation of this system.

CAUTION:

To avoid electrical shock, extreme care must be taken when using an electrical drill around any sink area. Be sure that neither you nor any part of the drill comes in contact with water or moisture at any time.

Do not use thread-sealing compounds with this system. Certain thread-sealing compounds can damage the unit or add contaminants to your water.

SETUP AND INSTALLATION

First, turn off the cold water supply, using the valve located under your sink.

If your sink has a spray hose attachment you can remove it and use the existing hole to mount the PiMag Deluxe faucet. If it does not have a spray attachment, or you do not wish to remove the attachment, it will be necessary to drill a new hole in your countertop for the faucet.

The procedure for drilling a hole in your countertop will vary slightly depending upon the type of material it is made of.

Start by determining the area on your sink where you want the PiMag Deluxe faucet to be installed.

CAUTION: BE SURE TO WEAR EYE PROTECTION.

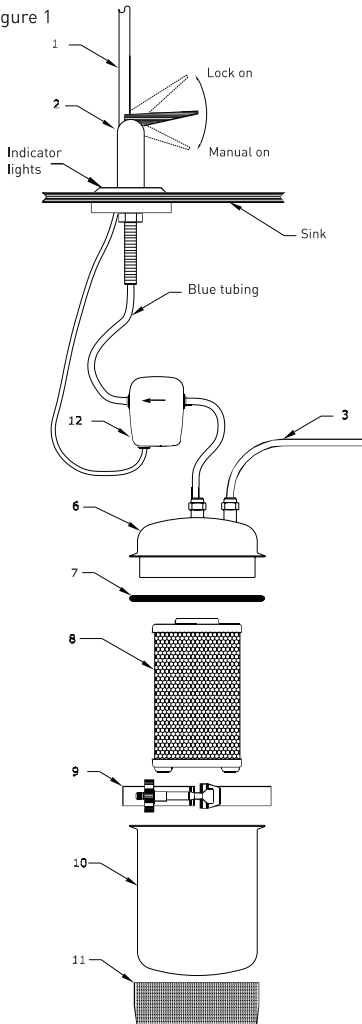
STAINLESS STEEL SINK

1. With a punch and hammer, make a small indentation at the center point of where your faucet fitting will be installed.
2. Using a variable speed drill, make a small pilot hole. Then enlarge as required. When drilling, vary the drill speed as necessary.
3. Smooth the edges of the hole to remove burrs.

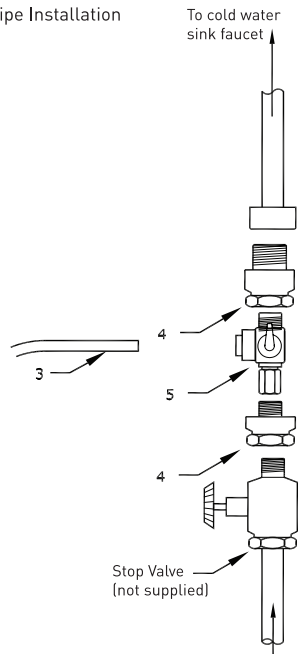
PORCELAIN SINK (CAST IRON)

1. Place a piece of duct tape or masking tape over the countertop area to be cut. This will keep the pilot bit from skipping across the surface while drilling. Make sure the width of the tape is smaller than the inside diameter of the finish saw that will be used.
2. Using a spring-loaded porcelain saw, locate the pilot bit on the center point and begin drilling at a slow speed. Be sure that all cutters are in contact with the porcelain. This will help eliminate chatter and avoid chipping the surface.
3. As soon as you have cut to a depth that exposes the cast iron, stop drilling and change to a 5/8" finish saw. Begin drilling, using high speeds and light pressure. If vibration occurs, reduce drill speed.

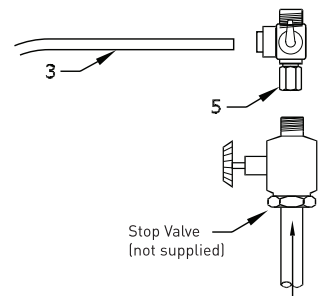
Figure 1



1/2" Pipe Installation



3/8 Tubing Installation



Item	Description
1	Spout
2	Faucet
3	Red tubing
4	Adapter For 1/2" pipe [2]
5	Connector valve
6	Stainless steel lid

Item	Description
7	O-ring seal
8	PiMag filter cartridge
9	V clamp
10	Stainless steel housing
11	Base
12	Indicator control box

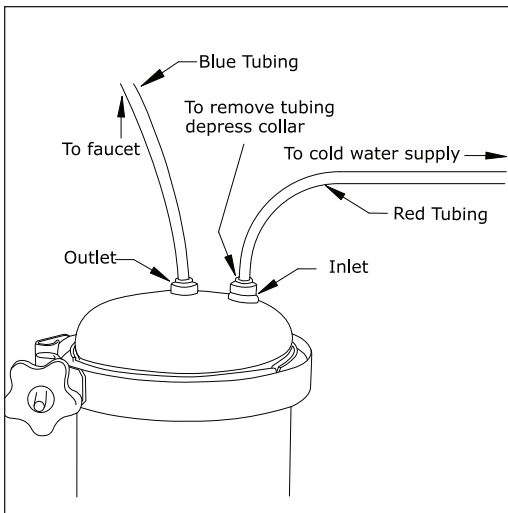


Figure 2

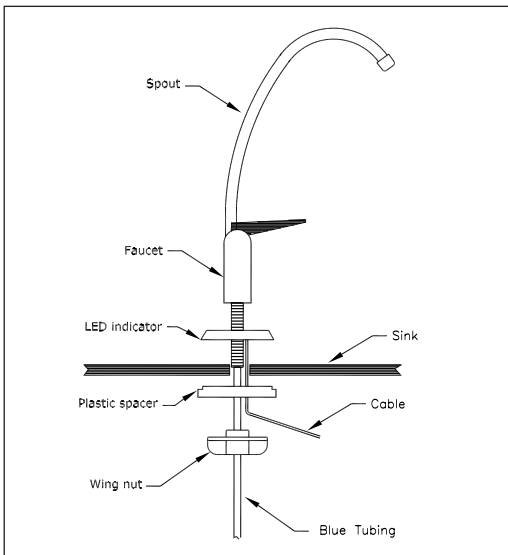


Figure 3

INSTALLING THE UNIT

Locate an area under your sink to place the base.

IMPORTANT: Be sure the base will be close enough to the faucet for the tubing to reach both without being bent or stretched.

INSTALLATION WITH 1/2" PIPE CONNECTION:

1. Locate the area on the cold water line for installation of the two 1/2" adapters (4).
2. Unscrew the pipe from the top of the stop valve.
3. Thread the correct adapter (see drawing) into the top of the stop valve.
4. Thread the connector valve (5) into the top of the adapter.
5. Thread the other adapter (4) into the top of the connector valve.
6. Connect this assembly to the upper pipe.
7. Press the red tubing (3) into the adapter.
8. Press the opposite end of the tubing into the inlet connector of the stainless steel lid (6), as shown in Figure 2.

INSTALLATION WITH 3/8" TUBING CONNECTION:

1. Locate the area on the cold water line for installation of the connector valve (5).

2. Unscrew the compression nut from the top of the stop valve.
3. Place the connector valve on top of stop valve and tighten compression nut. Reattach tubing to the top of the connector valve.
4. Press the red tubing (3) into the connector valve.
5. Press the opposite end of the tubing into the **inlet** connector of the stainless steel lid (6), as shown in Figure 2.

Install faucet through hole in sink, as shown in Figure 3.

To connect faucet to unit, press the blue tubing from the faucet into the **outlet** connector of the stainless steel lid (6), as shown in Figure 2.

Slowly turn on the cold water supply and check for leaks. Push the handle on the faucet up for continued flow and down for manual flow.

You may notice black carbon particles in the filtered water. This is normal. Allow the system to run for 15 minutes to eliminate carbon particles remaining from the manufacturing process.

INSTALLING THE FILTER LIFE INDICATOR CONTROL

Position the filter life indicator control box (12) as shown in Figure 1, against the back wall under the sink. Secure to wall with Velcro (provided). Insert the blue tubing that is attached to the PiMag Deluxe faucet into the outlet side of the filter life indicator box. (Arrow on indicator box shows direction of flow, points to outlet.) Insert one end of the other length of blue tubing provided into the inlet side of the filter indicator box. Connect the other end to the outlet connector of the stainless steel lid (6) as shown in Figure 2.

MAINTENANCE

Use only mild dishwashing liquid to wash inside of the housing. Do not use anything abrasive such as steel wool.

REPLACING THE FILTER CARTRIDGE AND BATTERY

Your PiMag Deluxe Water System is designed to let you know when it is operating at peak performance and when it is time to replace the cartridge.

During operation under optimal conditions the green indicator light will flash. As the cartridge begins to approach the end of its operating cycle, the yellow light will flash. This is a good time to order a replacement cartridge (Item #13152) if you do not already have one.

A flashing red light indicates that the cartridge requires replacement.

Note: if any indicator light continues to flash intermittently, check the battery and connections.

The PiMag Deluxe filter cartridge has a rated life of 800 gallons or approximately one year of use in a family of four. Replacing the cartridge and battery as indicated is important for this system to perform as represented.

If you detect a reduction in flow rate, or any taste or odor prior to the red light flashing, this is an indication that you will need to change the cartridge more frequently due to the water quality in your area.

Nikken recommends that the cartridge be replaced at least every 12 months, or whenever the red light illuminates, whichever comes first.

REPLACEMENT CARTRIDGES

For this system to perform as represented in the Performance Data Sheet, use only Nikken® PiMag Deluxe filter cartridges, Item #13152.

You may order replacement cartridges online at www.nikken.com.

REPLACEMENT SEQUENCE

1. Turn off cold water supply. Disconnect the tubing from the top of the stainless steel lid by pressing down on the collar and pulling upward on the tubing (see Figure 2).
2. Lift the unit out of its base and place in the sink, on a towel or other soft cloth to prevent scratching.
3. Loosen the V-clamp (9) knob (refer to Figure 1) and remove V-clamp from housing.
4. Rotate cartridge (8) counterclockwise to remove. Wrap cartridge in newspaper and discard. Wash the inside of the lid and housing with warm water and liquid dish soap. **DO NOT USE STEEL WOOL OR ABRASIVE PADS.**

IMPORTANT — **DO NOT** install the replacement cartridge at this time.

5. Pour a tablespoon of hydrogen peroxide into the housing (10) and fill with cold water. Reconnect the housing and lid, fit V-clamp and tighten knob.
6. Gently shake the unit back and forth and let stand for 15 minutes. Remove the V-clamp, separate the lid and housing, empty and rinse.
7. Remove the replacement cartridge from the sanitary plastic wrapping. Thread the cartridge clockwise onto the threaded post inside the lid until you feel resistance. Make an additional quarter turn. **DO NOT OVERTIGHTEN.**
8. Make certain the O-ring (7, in Figure 1) is securely in place on the flange of the lid. Place the lid on the housing. Fit the V-clamp over the upper and lower flange and tighten the knob.
9. Return the unit to its position on the base under the sink. Press the red and blue tubing into the inlet and outlet connections on the lid.

10. Turn the cold water on and allow the water to flush out the system for 15 minutes. Carefully look for leaks around the fittings and V-clamp area. If there is a leak, turn the water supply off, disassemble the connections where the leak is present. Reassemble and securely tighten.

Battery Replacement - The battery holder is located at the bottom of the Filter life Indicator next to the cable.

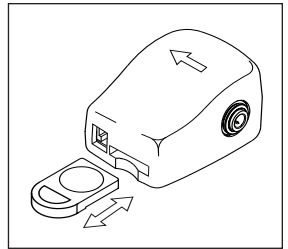


Figure 4

11. Remove the battery tray by sliding it out as shown in figure 4.

12. Discard the old battery tray and replace it with the new one.

TROUBLESHOOTING

CONDITION: White sediment in water.

REASON: Presence of calcium carbonate. This occurs when water is boiled or frozen and then melts.

SOLUTION: This condition is normal and no action is required.

CONDITION: Ice cubes are cloudy in the center.

REASON: Minerals collect in the center of ice cubes when water is frozen.

SOLUTION: This condition is normal and no action is required.

CONDITION: Water smells like rotten eggs.

REASON: Sulfur-reducing bacteria are in the water supply.

SOLUTION: Mix a teaspoon of hydrogen peroxide in a cup of warm water. Remove filter lid and pour into housing. Replace filter lid. Let it sit for 10 to 15 minutes and flush thoroughly.

CONDITION: Water from the system is rusty or red in color.

REASON: There is a high content of soluble iron present in your water supply.

SOLUTION: The system is not designed to remove soluble iron.

CONDITION: Water flow from the faucet is slow.

REASON: Excessive amounts of particulates in water may have caused plugging. Water conditions in your area are poor.

SOLUTION: Replace the filter cartridge.

Due to continuing product research and development, final specifications or appearance may vary.

SOMMAIRE

Présentation du produit	12
Instructions d'utilisation importantes	13
Montage et installation	14
Installation de l'unité	
Entretien	
Remplacement de la cartouche filtrante et de la pile	18
Dépannage	19

PRÉSENTATION DU PRODUIT

Félicitations! En achetant ce système de filtration sous évier Nikken^{MD} PiMag Deluxe, vous avez effectué un pas important pour offrir à vous et votre famille un milieu de vie plus sain et plus sûr. Ce produit possède plusieurs fonctions avancées :

- La filtration multiple offre une défense contre la majeure partie des contaminants et des substances courantes de l'eau provenant des réseaux de distribution. Elle offre un niveau de performance inégalé dans la réduction de composés organiques volatils, du plomb, des spores, des éthers, de la turbidité, du chlore, de goûts désagréables, des odeurs et des matières particulaires.
- La technologie PiMag utilise les principes découverts il y a plus de 30 ans par des scientifiques japonais pour reproduire les conditions environnementales qui transforment l'eau ordinaire en « eau de la vie ». L'eau PiMag contribue à restaurer l'équilibre naturel des fluides biologiques qui composent l'organisme des plantes, des animaux et des humains pour obtenir une santé optimale.
- Les dimensions compactes du système lui permettent de le ranger de manière invisible sous votre évier. Ainsi, l'espace de travail et l'esthétique de votre cuisine restent intacts. Sa conception facilite le remplacement simple et rapide de la cartouche filtrante PiMag, constituée d'un seul élément.
- L'unité dispose de son propre robinet (inclus) pour une sélection facile de l'eau du robinet et de l'eau PiMag. L'emploi de l'eau du robinet à des fins autres que la consommation permet d'allonger la durée de vie du filtre du système.
- Un indicateur électronique de la durée de vie du filtre (en option) développé selon les derniers progrès de la technologie vous informe du moment nécessaire de remplacement de la cartouche.
- Le système est conforme aux normes NSF/ANSI 42 et 53 quant aux déclarations spécifiques de performance telles que vérifiées et documentées par les données de test.

Le système de filtration sous évier PiMag Deluxe est idéal pour tous les besoins en eau de votre maison : eau de boisson, cuisine et même arrosage des plantes. Il fournit une eau propre, fraîche et délicieuse pour une fraction du prix de l'eau achetée en bouteille.

INSTRUCTIONS D'UTILISATION IMPORTANTES

1. Lisez ce mode d'emploi entièrement avant de commencer à installer ou à utiliser le système de filtration sous évier PiMag Deluxe.
2. N'utilisez pas cet appareil avec de l'eau dont la qualité microbiologique est douteuse ou inconnue sans une désinfection appropriée avant ou après l'utilisation du filtre. On peut utiliser des systèmes homologués pour la réduction des spores pour filtrer des eaux désinfectées qui peuvent contenir des spores filtrables.
3. Les personnes nécessitant une pureté microbiologique particulière devraient consulter leur médecin.
4. Utiliser seulement avec des provisions d'eau froide potable.
5. Pour que cet appareil puisse assurer ce type de filtrage, utilisez des cartouches filtrantes Nikken^{MD} PiMag Deluxe, code d'article 13152.
6. Ce système doit être protégé du gel. L'exposition au gel peut conduire à une perte de performance, à des dommages aux composants et à des fuites d'eau.
7. L'installation de ce produit doit être conforme aux lois et règlements nationaux et locaux. Pour plus de détails, veuillez consulter les autorités locales.
8. Le voyant du filtre doit fonctionner de manière régulière. Si le voyant semble fonctionner par intermittence (clignotements aléatoires), vérifiez que la connexion n'est pas desserrée ou que la pile n'est pas épuisée.

NOTE POUR LES RÉSIDENTS DU MASSACHUSETTS :

Le code de plomberie 248CMR du Commonwealth du Massachusetts doit être respecté. Un plombier professionnel doit effectuer l'installation de ce produit.

CARACTÉRISTIQUES DE FONCTIONNEMENT

Modèle	Système d'eau PiMag Deluxe sous le comptoir — N° 13151
Utilisation	Potable, uniquement avec de l'eau froide
Dimensions	10,8" x 6,3" (27,43 x 16 cm)
Flux d'utilisation mesuré	0,75 gal/min (2,84 L/min)
Capacité d'utilisation	800 gallons US (3028 litres)
Pression de fonctionnement	Maximum : 125 psig (862 kPa), Minimum : 30 psig (207 kPa)
Températures de fonctionnement	Maximum : 100 °F (37,8 °C), Minimum : 34 °F (1 °C)
Cartouche de rechange	code d'article 13152

OUTILLAGE DE BASE NÉCESSAIRE (NON FOURNI)

Des instructions pour percer un trou dans votre évier (si nécessaire) figurent dans ce mode d'emploi.

- Couteau universel
- Règle
- Crayon
- Marteau
- Ruban-cache
- Foret 5/8 po
- Poinçon
- Perceuse
- Clés - 1/2 po et 9/16 po
- Tournevis plats et cruciformes
- Lunettes de protection

Si vous hésitez à percer un trou dans votre évier ou si vous ne disposez pas des outils appropriés, adressez-vous à un plombier professionnel dans votre secteur pour installer ce système.

ATTENTION :

Pour éviter un choc électrique, prenez les plus grandes précautions lors de l'utilisation de la perceuse électrique dans la zone de l'évier. Assurez-vous qu'aucune partie de votre corps ou de la perceuse n'entre jamais en contact avec de l'eau ou de l'humidité.

N'utilisez pas de produits d'étanchéité de filetage avec ce système. Certains de ces produits peuvent endommager l'unité ou ajouter des contaminants à votre eau.

MONTAGE ET INSTALLATION

En premier lieu, fermez l'alimentation en eau froide en utilisant la vanne située sous votre évier.

Si votre évier est équipé d'un raccordement pour un flexible de douchette, vous pouvez le retirer et utiliser le trou existant pour monter le robinet PiMag Deluxe. Si votre évier n'est pas équipé de ce type de raccordement ou si vous ne voulez pas démonter ce branchement, vous devrez percer un nouveau trou dans votre plan de travail pour le robinet.

La procédure de perçage d'un trou dans votre plan de travail sera différente selon le type de matériau qui le compose.

Commencez à déterminer la zone de votre évier où vous désirez installer le robinet PiMag Deluxe.

ATTENTION : N'OUBLIEZ PAS DE PORTER DES LUNETTES DE PROTECTION.

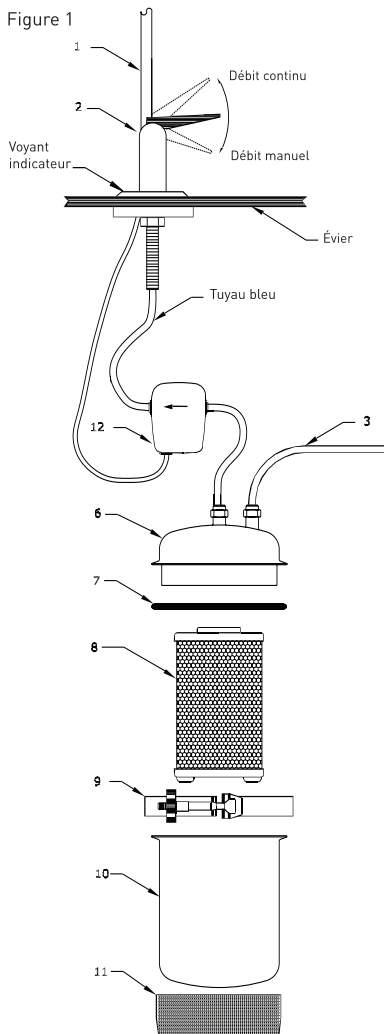
ÉVIER EN ACIER INOXYDABLE

1. Avec un poinçon et un marteau, faites une petite marque au centre de l'endroit où sera installé votre robinet.
2. Utilisez une perceuse à vitesse variable et percez un petit trou de guidage. Agrandissez ensuite le trou, si nécessaire. Pendant le perçage, utilisez le variateur de vitesse selon les besoins.
3. Lissez les bords du trou pour supprimer les bavures.

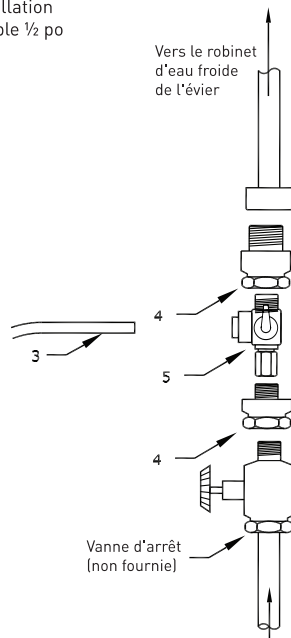
ÉVIER EN PORCELAINE (FONTE)

1. Placez un morceau de ruban adhésif ou de ruban-cache sur la zone du plan de travail à percer. Ce ruban empêchera le foret guide de glisser sur la surface pendant le perçage. Assurez-vous que la largeur du ruban est plus petite que le diamètre intérieur de la scie cloche qui sera utilisée.
2. Utilisez une scie à ressort pour porcelaine, placez le foret guide au point central et commencez à percer à vitesse réduite. Assurez-vous que toutes les dents de la scie entrent en contact avec la porcelaine. Ceci permettra d'éliminer les vibrations et d'éviter l'écaillage la surface.
3. Dès que vous aurez coupé une profondeur suffisante pour exposer la fonte, arrêtez le perçage et prenez une scie cloche de 5/8 po. Commencez à percer en utilisant des vitesses élevées et une pression légère. Si des vibrations se produisent, réduisez la vitesse de perçage.

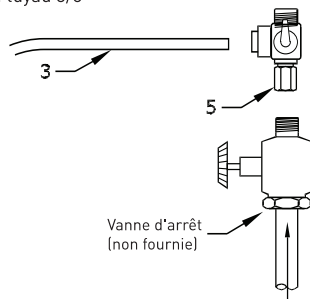
Figure 1



Installation flexible 1/2 po



Installation du tuyau 3/8



Article	Description
1	Bec verseur
2	Robinet
3	Tuyau rouge
4	Adaptateur pour tuyau 1/2 po
5	Valve de raccord
6	Couvercle en acier inoxydable

Article	Description
7	Joint torique
8	Cartouche filtrante PiMag
9	Collier en V
10	Cuve en acier inoxydable
11	Base
12	Boîte de commande

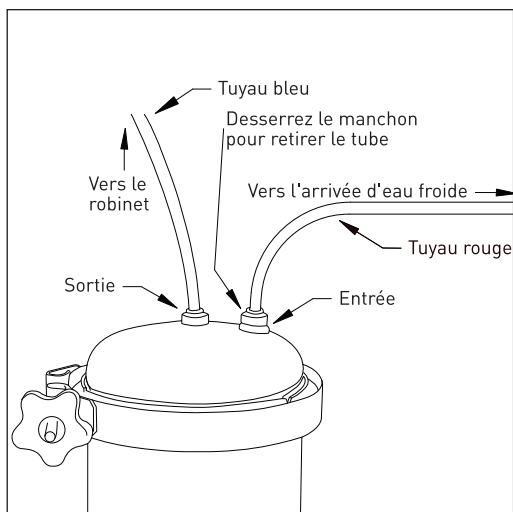


Figure 2

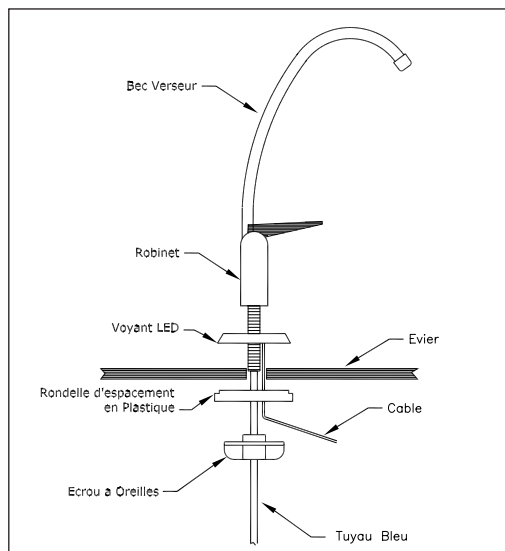


Figure 3

INSTALLATION DE L'UNITÉ

Repérez un emplacement sous votre évier pour placer la base.

IMPORTANT: Assurez-vous que la base soit assez proche du robinet pour que les tuyaux puissent les raccorder sans être trop courbés ou trop tendus.

INSTALLATION AVEC UN RACCORD POUR TUYAU DE 1/2 PO

1. Repérez l'emplacement sur l'arrivée d'eau froide pour installer les deux adaptateurs de 1/2 po (4).
2. Dévissez le tuyau au-dessus de la vanne d'arrêt.
3. Vissez l'adaptateur approprié (voir image) dans la partie supérieure de la vanne.
4. Vissez la valve de raccord (5) dans la partie supérieure de l'adaptateur.
5. Vissez l'autre adaptateur (4) dans la partie supérieure de la valve de raccord.
6. Reliez ce raccordement au tuyau supérieur.
7. Entrez le tuyau rouge (3) dans l'adaptateur.
8. Entrez l'autre bout du tuyau dans le raccord d'entrée du couvercle en acier inoxydable (6), comme indiqué sur la figure 2.

INSTALLATION AVEC UN RACCORD POUR TUYAU DE 3/8 PO

1. Repérez l'emplacement sur l'arrivée d'eau froide pour installer la valve de raccord (5).
2. Dévissez l'écrou à compression de la partie supérieure de la vanne.
3. Placez la valve de raccord au-dessus de la vanne et revissez l'écrou à compression. Rebranchez le tuyau sur le haut de la valve de raccord.
4. Entrez le tuyau rouge (3) dans la valve de raccord.
5. Entrez l'autre bout du tuyau dans le raccord **d'entrée** du couvercle en acier inoxydable (6), comme indiqué sur la figure 2.

Installez le robinet en le passant dans le trou de l'évier, comme indiqué sur la figure 3.

Pour raccorder le robinet à l'unité, faites entrer le tuyau bleu provenant du robinet dans le raccord de **sortie** du couvercle en acier inoxydable (6), comme indiqué sur la figure 2.

Ouvrez doucement l'arrivée d'eau froide et contrôlez la présence de fuites. Dirigez la manette du robinet vers le haut pour un délit continu et vers le bas pour un débit manuel.

Vous pouvez trouver des particules noires de charbon dans l'eau filtrée. Ceci est normal. Faites fonctionner le système pendant dix minutes pour éliminer les particules de charbon emprisonnées pendant le processus de fabrication.

INSTALLATION DE LA COMMANDE INDIQUANT LA DURÉE DE VIE DU FILTRE

Placez la boîte de commande indiquant la durée de vie du filtre (12) comme indiqué sur la figure 1, contre le mur du fond, sous l'évier. Fixez-la au mur avec le Velcro (fourni). Insérez le tube bleu qui est attaché au robinet du PiMag Deluxe dans le raccord de sortie de la boîte indiquant la durée de vie du filtre. (La flèche sur la boîte indique la direction du flux, pointe vers la sortie.) Insérez l'une des extrémités de l'autre tube bleu fourni dans le raccord d'entrée de la boîte indicatrice. Reliez l'autre extrémité au raccord de sortie du couvercle en acier inoxydable (6) comme indiqué sur la figure 2.

ENTRETIEN

Utilisez uniquement du liquide vaisselle dilué pour nettoyer l'intérieur de la cuve. N'utilisez aucune matière abrasive comme les éponges en acier.

REPLACEMENT DE LA CARTOUCHE FILTRANTE ET DE LA PILE

Votre système de filtration PiMag Deluxe est conçu de manière à vous informer lorsqu'il fonctionne au maximum de ses performances et quand il est temps de remplacer la cartouche.

Lors du fonctionnement dans des conditions optimales, le voyant vert clignote. Lorsque la cartouche approche de la fin de son cycle de fonctionnement, le voyant jaune clignote. C'est le bon moment de commander une cartouche de rechange (code d'article 13152) si vous n'en avez pas à disposition.

Un voyant clignotant rouge indique que la cartouche doit être remplacée.

Remarque : si le voyant continue de clignoter, vérifiez l'état de la pile et les connexions.

La cartouche filtrante PiMag Deluxe a une possibilité d'utilisation de 800 gallons ou d'approximativement une année d'utilisation dans une famille de quatre personnes. Le remplacement de la cartouche et de la pile préconisé dans ce manuel est très important pour que ce système fonctionne de la manière présentée.

Si vous détectez une réduction du débit, un saveur ou une odeur désagréable avant le clignotement rouge, ceci indique que vous devez changer la cartouche plus fréquemment à cause de la qualité de l'eau dans votre secteur.

Nikken recommande un changement de cartouche tous les douze mois ou dès que le voyant rouge s'allume.

CARTOUCHES DE REMPLACEMENT

Pour que ce système puisse assurer ce type de filtrage conformément à la fiche technique des performances, utilisez des cartouches filtrantes Nikken^{MD} PiMag Deluxe, code d'article 13152.

Vous pouvez commander des cartouches de rechange en ligne sur www.nikken.com.

PROCÉDURE DE REMPLACEMENT

1. Fermez l'arrivée d'eau froide. Débranchez le tube du couvercle en acier inoxydable en appuyant sur le manchon et en tirant le tube vers le haut (voir figure 2).
2. Retirez l'appareil de sa base et placez-le dans l'évier, sur un torchon ou sur tout autre tissu doux pour éviter les rayures.
3. Dévissez l'écrou du collier en V (9) (voir figure 1) et retirez le collier en V de la cuve.
4. Tournez la cartouche (8) en sens inverse des aiguilles d'une montre pour la retirer. Enveloppez la cartouche dans du papier journal et jetez-la. Nettoyez l'intérieur du couvercle et de la cuve avec de l'eau chaude et du liquide vaisselle. **N'UTILISEZ PAS D'ÉPONGES EN ACIER OU D'AUTRES ABRASIFS.**

IMPORTANT — N'INSTALLEZ PAS la cartouche de rechange à cette étape.

5. Versez une cuillerée à soupe d'eau oxygénée dans la cuve (10) et remplissez-la d'eau froide. Assemblez la cuve et le couvercle, fixez le collier en V et resserrez l'écrou.
6. Agitez doucement l'unité d'avant en arrière et laissez-la reposer pendant quinze minutes. Retirez le collier en V, séparez le couvercle de la cuve, videz et rincez la cuve.

7. Retirez la cartouche de remplacement de son conditionnement plastique de sécurité. Vissez la cartouche dans le sens horaire sur le filetage à l'intérieur du couvercle jusqu'à ce que vous sentiez une résistance. Vissez encore un quart de tour. **NE SERREZ PAS TROP FORT.**
8. Assurez-vous que le joint torique (7, dans la figure 1) est bien en place à la périphérie du couvercle. Replacez le couvercle sur la cuve. Fixez le collier en V sur les bords des deux parties, puis resserrez l'écrou.
9. Replacez l'unité sur sa base, sous l'évier. Insérez les tuyaux rouge et bleu dans les raccords d'entrée et de sortie du couvercle.
10. Faites couler l'eau froide et laissez-la sortir du système pendant 15 minutes. Recherchez soigneusement la présence de fuites autour des raccords et du collier en V. Si vous trouvez une fuite, fermez l'arrivée d'eau et débranchez le raccord où se trouve la fuite. Rebranchez le raccord et serrez-le fermement.

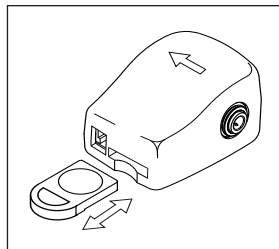


Figure 4

Remplacement de la pile - Le compartiment pour la batterie se trouve au-dessous de l'indicateur de changement de filtre à côté du câble.

11. Retirez le compartiment pour la batterie en le faisant glisser, comme indiqué sur la figure 4.
12. Jetez l'ancien compartiment pour la batterie et remplacez-le avec le nouveau.

DÉPANNAGE

PROBLÈME : Il y a des sédiments blancs dans l'eau.

RAISON : Présence de carbonate de calcium, produit lorsque l'eau est bouillie ou quand elle est congelée, puis décongelée.

SOLUTION : Ceci est normal et ne requiert aucune action.

PROBLÈME : Le centre des glaçons est opaque.

RAISON : Les minéraux se sont rassemblés au centre des glaçons quand l'eau a gelé.

SOLUTION : Ceci est normal et ne requiert aucune action.

PROBLÈME : L'eau a une odeur d'œuf pourri.

RAISON : Présence de bactérie sulfo-réductrices dans le réseau d'eau.

SOLUTION : Mélangez une cuillère à café d'eau oxygénée dans une tasse d'eau chaude.

Retirez le couvercle du filtre et versez-la dans la cuve. Replacez le couvercle du filtre.

Laissez reposer 10 à 15 minutes et faites couler l'eau complètement.

PROBLÈME : La couleur de l'eau issue du système est orange ou rouge.

RAISON : L'eau du réseau contient une forte concentration de fer soluble.

SOLUTION : Ce système n'est pas conçu pour retirer le fer en suspension dans l'eau du robinet.

PROBLÈME : L'eau coule lentement du robinet.

RAISON : Une quantité excessive de particules en suspension dans l'eau peut boucher le système. Les caractéristiques de l'eau de votre secteur sont mauvaises.

SOLUTION : Remplacez la cartouche filtrante.

Du fait d'une recherche et développement du produit en continu, les caractéristiques finales ou l'apparence de l'appareil peuvent différer de ceux du manuel.

CONTENIDO

Presentación del producto21
Normas de uso importantes22
Montaje e instalación23
Instalación de la unidad	
Mantenimiento	
Reemplazo del cartucho del filtro y la batería27
Resolución de problemas28

PRESENTACIÓN DEL PRODUCTO

¡Felicitaciones! Al comprar su Sistema de agua PiMag Deluxe para abajo del mostrador de la cocina de Nikken® (Nikken® PiMag™ Deluxe Under Counter Water System), usted ha dado un paso muy importante para brindarle a su familia un ambiente más seguro y saludable para vivir. Este producto posee diversas características avanzadas:

- La filtración de varias etapas proporciona una defensa contra la más amplia variedad de contaminantes y sustancias del agua del grifo que comúnmente se encuentran en los servicios públicos de suministro de agua. Ofrece un desempeño insuperable en la reducción de compuestos orgánicos volátiles, plomo, quistes, metil terbutil éter (MTBE), turbiedad, cloro, mal sabor, olores y materia con partículas.
- La tecnología PiMag utiliza principios descubiertos hace más de 30 años por científicos japoneses, que reproducen las condiciones naturales que transforman al agua común en el "agua de la vida". El agua PiMag ayuda a restaurar el equilibrio de los fluidos internos de los que están formados las plantas, los animales y los seres humanos para lograr un óptimo estado de salud.
- Las dimensiones compactas del sistema permiten su colocación de forma imperceptible abajo del mostrador de la cocina, por lo tanto no afecta la estética ni el espacio disponible en el mostrador. Además, el diseño del purificador permite reemplazar el filtro de una pieza y el cartucho PiMag de forma rápida y fácil.
- La unidad posee su propio grifo (incluido) para que elija fácilmente entre el agua del grifo y el agua PiMag. El acceso al agua del grifo para otros usos que no sean el consumo también ayuda a prolongar la vida útil del filtro.
- Un indicador electrónico de última generación le permite conocer la vida útil del filtro para saber cuándo debe cambiar el cartucho.
- El sistema cumple con los estándares establecidos en la normativa NSF/ANSI 42 y 53 en lo referente a las declaraciones de desempeño específicas de la unidad, según se verificó y sustentó con los datos de la prueba.

El Sistema de agua PiMag Deluxe para abajo del mostrador de la cocina es ideal para todas sus necesidades de agua en el hogar: para beber, cocinar e incluso regar las plantas. Suministra agua limpia, fresca y de excelente sabor; a una fracción del costo del agua embotellada.

NORMAS DE USO IMPORTANTES

1. Lea este manual exhaustivamente antes tratar de instalar o utilizar el Sistema de agua PiMag Deluxe para abajo del mostrador de la cocina.
2. No lo utilice con agua poco segura para el consumo (microbiológicamente) o de calidad desconocida sin realizar una desinfección apropiada, ya sea antes o después de que sea filtrada por el sistema. Los sistemas que cuentan con la certificación para la reducción de quistes pueden utilizarse con un suministro de agua desinfectada que puede contener quistes filtrables.
3. Las personas que necesiten una pureza microbiológica específica deben consultar a su médico.
4. Para uso exclusivo con suministro de agua potable fría.
5. Para que esta unidad funcione según las especificaciones de la hoja de datos de desempeño, use solamente los Cartuchos del filtro PiMag Deluxe de Nikken® (Nikken® PiMag Deluxe filter cartridges), artículo #13152.
6. Proteja al sistema de la posibilidad de congelamiento. Si no lo hace, puede tener como resultado una disminución del desempeño, daños en las piezas y escape de agua.
7. La instalación de este producto debe cumplir con todas las leyes y normativas estatales y locales. Consulte a las agencias locales para obtener más detalles.
8. Este sistema de tratamiento del agua reduce o elimina contaminantes y demás sustancias que no necesariamente están presentes en el agua que utilizan los usuarios.

AVISO PARA LOS RESIDENTES DE MASSACHUSETTS:

De acuerdo con el Código de plomería 248CMR del Commonwealth de Massachusetts, un plomero (fontanero) con licencia deberá realizar la instalación de este producto.

ESPECIFICACIONES DE FUNCIONAMIENTO

Modelo	Sistema de agua PiMag Deluxe para abajo del mostrador de la cocina (PiMag Deluxe Under Counter Water System) — #13151
Uso	Solamente con agua potable fría
Dimensiones	10.8 x 6.3 pulg. (27.43 x 16 cm)
Flujo nominal de servicio	0.75 gal./min. (2.84 l/min.)
Capacidad nominal	800 galones EE. UU. (3028 litros)
Presión de régimen de trabajo	Máxima: 125 psig. (862 kPa) Mínima: 30 psig. (207 kPa)
Temperatura de funcionamiento	Máxima: 100 °F (37.8 °C) Mínima: 34 °F (1 °C)
Repuesto del cartucho	Artículo #13152

HERRAMIENTAS BÁSICAS NECESARIAS (NO SON INCLUIDAS)

En este manual se incluyen las instrucciones para taladrar un orificio en su mostrador (si es necesario).

- Cuchillo para uso general
- Regla
- Lápiz
- Martillo
- Cinta adhesiva
- Broca para taladro de 5/8"
- Punzón
- Taladro
- Llaves de tuercas: 1/2" y 9/16"
- Tornillos: plano y Phillips
- Gafas de seguridad

Si no tiene la seguridad necesaria para taladrar un agujero en su mostrador o no posee las herramientas adecuadas, consulte a un plomero con licencia en su área para que realice la instalación del sistema.

PRECAUCIÓN:

Para evitar una descarga eléctrica, tenga precaución al usar un taladro eléctrico en el área del mostrador. Asegúrese de que usted ni el taladro entren en contacto con agua o humedad en ningún momento.

No utilice pasta de sellado en este sistema. Ciertos productos de sellado pueden dañar la unidad o contaminar el agua.

MONTAJE E INSTALACIÓN

Primero, cierre el suministro de agua fría con la llave ubicada debajo del mostrador de la cocina. Si tiene un accesorio rociador, puede retirarlo y montar el grifo PiMag Deluxe en el agujero existente. Si no tiene un rociador o no desea retirar este accesorio, deberá taladrar un nuevo agujero en su mostrador para colocar el grifo.

El procedimiento a seguir para taladrar un agujero variará levemente según el tipo de material del mostrador.

Como primer paso, determine en qué área del mostrador desea instalar el grifo PiMag Deluxe.

PRECAUCIÓN: ASEGÚRESE DE USAR GAFAS DE SEGURIDAD.

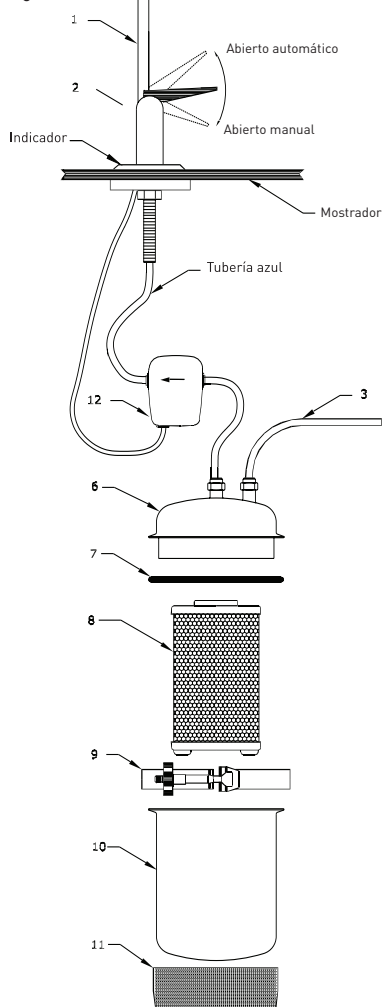
MOSTRADOR DE ACERO INOXIDABLE

1. Con un martillo y punzón, haga una pequeña muesca en el lugar preciso donde instalará el accesorio de grifo.
2. Con un taladro de velocidad variable, haga un pequeño agujero guía. Luego agrándelo hasta el tamaño requerido. Puede variar la velocidad del taladro según sea necesario.
3. Pula los bordes del orificio para eliminar la rebaba.

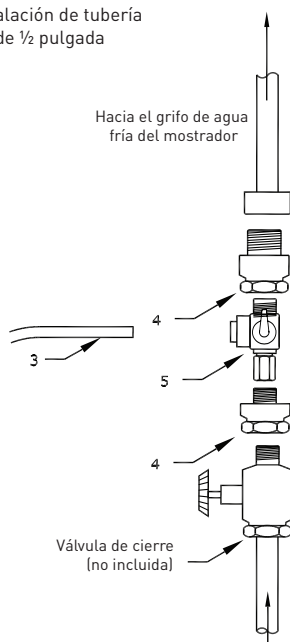
MOSTRADOR DE PORCELANA (HIERRO FUNDIDO)

1. Coloque un trozo de cinta adhesiva en el área del mostrador que desea cortar. Esto evitará que la broca se deslice por la superficie mientras taladra. Asegúrese de que el ancho de la cinta sea inferior al diámetro interno de la sierra de acabado que utilizará.
2. Con una sierra para porcelana accionada por resorte, fije la broca en el punto guía y comience a taladrar a baja velocidad. Asegúrese de que todos los dientes estén en contacto con la porcelana. Esto ayudará a eliminar las vibraciones y a evitar que la superficie se astille.
3. Apenas haya alcanzado el hierro fundido, deje de taladrar y use una sierra de acabado de 5/8". Comience a taladrar a alta velocidad y con poca presión. En caso de vibración, reduzca la velocidad.

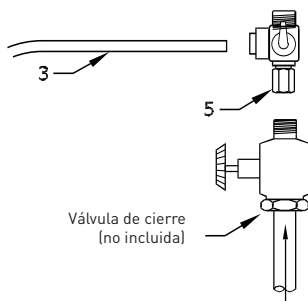
Figura 1



Instalación de tubería de 1/2 pulgada



Instalación de tubería de 3/8 pulgada



Descripción del artículo

- 1 Popote
- 2 Grifo
- 3 Tubería roja
- 4 Adaptador para tubería de 1/2 pulgada (2)
- 5 Válvula de conexión
- 6 Tapa de acero inoxidable

Descripción del artículo

- 7 Junta tórica
- 8 Cartucho del filtro PiMag
- 9 Abrazadera en V
- 10 Recipiente de acero inoxidable
- 11 Base
- 12 Caja de control del indicador

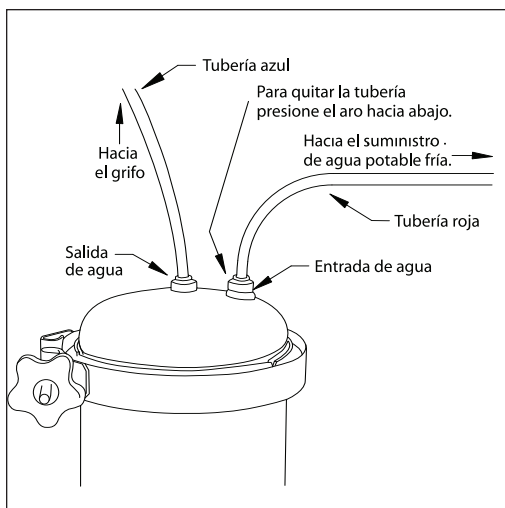


Figura 2

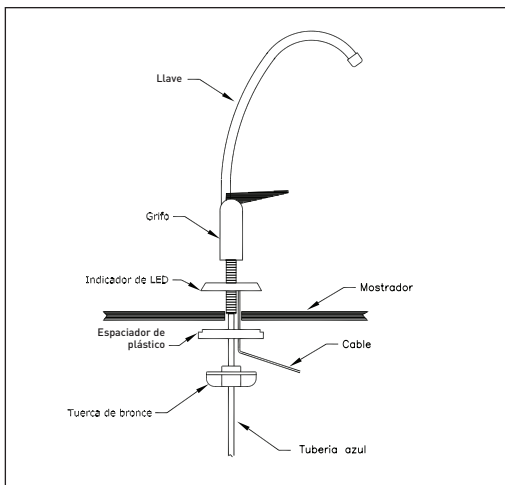


Figura 3

INSTALACIÓN DE LA UNIDAD

Fíjese en qué área debajo del mostrador colocará la base.

IMPORTANTE: Asegúrese de que la base esté lo suficientemente cerca del grifo para que la tubería llegue hasta ambos extremos sin curvarse ni estirarse.

INSTALACIÓN CON CONEXIÓN DE TUBERÍA DE 1/2 PULGADA:

1. Ubique el área de la tubería de agua fría para instalar los adaptadores de 1/2 pulgada (4).
2. Desatornille la tubería de la parte superior de la válvula de cierre.
3. Enrosque el adaptador correcto (vea la ilustración) en la parte superior de la válvula de cierre.
4. Enrosque la válvula de conexión (5) en la parte superior del adaptador.
5. Enrosque el otro adaptador (4) en la parte superior de la válvula de conexión.
6. Conecte este montaje a la tubería superior.
7. Coloque la tubería roja (3) a presión en el adaptador.
8. Presione el extremo opuesto de la tubería en el conector de **entrada de agua** de la tapa de acero inoxidable (6), como se muestra en la Figura 2.

INSTALACIÓN CON CONEXIÓN DE TUBERÍA DE 3/8 PULGADA:

1. Ubique el área de la tubería de agua fría para instalar la válvula de conexión.
2. Desatornille la tuerca de compresión de la parte superior de la válvula de cierre.
3. Coloque la válvula de conexión en la parte superior de la válvula de cierre y ajuste la tuerca de compresión. Vuelva a conectar la tubería en la parte superior de la válvula de conexión.
4. Coloque la tubería roja (3) a presión en la válvula de conexión.
5. Presione el extremo opuesto de la tubería en el conector de entrada de agua de la tapa de acero inoxidable (6), como se muestra en la Figura 2.

Instale el grifo a través del agujero del mostrador, como se muestra en la Figura 3.

Para conectar el grifo a la unidad, presione la tubería azul desde el grifo hacia el conector de salida de agua de la tapa de acero inoxidable (6), como se muestra en la Figura 2.

Abra suavemente el suministro de agua fría y verifique si hay fugas. Levante la manivela del grifo si desea que el agua fluya de forma continua y bájela para que fluya de forma manual.

Puede observar partículas negras de carbono en el agua filtrada. Esto es normal. Deje que el agua fluya a través del sistema durante 15 minutos para eliminar las demás partículas de carbono del proceso de fabricación.

INSTALACIÓN DEL CONTROL DEL INDICADOR DE VIDA ÚTIL DEL FILTRO

Ubique la caja de control del indicador de vida útil del filtro (12) como se muestra en la Figura 1, contra la pared posterior debajo del mostrador. Asegúrela a la pared con Velcro (incluido). Conecte la tubería azul que está sujeta al grifo del PiMag Deluxe al conector de salida de la caja del indicador de vida útil del filtro. (La flecha en la caja del indicador de vida útil del filtro muestra la dirección de la corriente; ésta apunta a la salida.) Conecte un extremo de la tubería azul proporcionada en el lado de entrada de la caja del indicador del filtro. Conecte el otro extremo al conector de salida de la tapa de acero inoxidable (6) como se muestra en la Figura 2.

MANTENIMIENTO

Use sólo detergente líquido suave para lavar vajilla para limpiar el interior del recipiente. No use ningún producto abrasivo, como una esponja de acero.

REEMPLAZO DEL CARTUCHO DEL FILTRO Y LA BATERÍA

Su sistema de agua PiMag Deluxe está diseñado para informarle cuándo funciona al máximo rendimiento y cuándo es hora de reemplazar el cartucho.

Durante el funcionamiento bajo condiciones óptimas, se ilumina el indicador verde. Cuando el cartucho comienza a acercarse al final de su ciclo operativo, se enciende la luz amarilla. Éste es un buen momento para solicitar un repuesto del cartucho (artículo #13152), a menos que ya tenga uno.

Cuando se enciende la luz roja, debe reemplazar el cartucho.

Nota: si alguna luz del indicador continúa encendiéndose de modo intermitente, controle la batería y las conexiones.

El cartucho del filtro PiMag Deluxe tiene una vida estipulada de 800 galones o aproximadamente un año de uso para una familia de cuatro integrantes. Es importante que reemplace el cartucho y la batería según las instrucciones para que el sistema funcione según se indica en el manual.

Si observa una disminución en la corriente de agua o cualquier sabor u olor antes de que se encienda la luz roja, ésta es una señal de que debe cambiar el cartucho con más frecuencia debido a la calidad del agua en su área.

Nikken recomienda reemplazar el cartucho al menos cada 12 meses, o cuando se encienda la luz roja, lo que suceda primero.

CARTUCHOS DE REEMPLAZO

Para que este sistema funcione como se representa en la Hoja de la Información de Rendimiento, use solamente el cartucho del filtro PiMag Deluxe de Nikken. Artículo # 13152

Puede ordenar los cartuchos de reemplazo en Internet en www.nikken.com.

PASOS DEL REEMPLAZO

1. Cierre el suministro de agua fría. Desconecte la tubería de la parte superior de la tapa de acero inoxidable presionando el aro hacia abajo y sacando la tubería hacia arriba (vea la Figura 2).
2. Levante la unidad para separarla de la base y colóquela en el mostrador, sobre una toalla u otro paño suave para que no se raye.
3. Afloje la perilla de la abrazadera en V (9, en la Figura 1) y quite la abrazadera del recipiente.
4. Rote el cartucho (8) en el sentido contrario a las agujas del reloj para sacarlo. Envuelva el cartucho en papel de periódico y deséchelo. Lave el interior de la tapa y del recipiente con agua tibia y detergente para vajilla. NO USE UNA ESPONJA DE ACERO NI PAÑOS ABRASIVOS.

IMPORTANTE: NO instale el cartucho de repuesto en este momento.

5. Coloque una cucharada de peróxido de hidrógeno en el recipiente (10) y llénelo con agua fría. Vuelva a conectar el recipiente y la tapa, coloque la abrazadera en V y ajuste la perilla.
6. Agite suavemente la unidad de un lado a otro y deje actuar durante 15 minutos. Quite la abrazadera en V, separe la tapa y el recipiente, vacíelo y enjuáguelo.
7. Quite el cartucho de repuesto del envoltorio plástico. Enrosque el cartucho en el sentido de las agujas del reloj en el puntal roscado ubicado abajo de la tapa hasta que sienta

resistencia. Dé otro cuarto de vuelta. NO AJUSTE EXCESIVAMENTE.

- Asegúrese de que la junta tórica (7, en la Figura 1) esté correctamente ajustada en la brida de la tapa. Colóquela la tapa al recipiente. Ajuste la abrazadera en las bridas superior e inferior y ajuste la perilla.
- Ponga la unidad en su posición sobre la base ubicada debajo del mostrador. Coloque a presión las tuberías roja y azul en las conexiones de entrada y salida de agua que están en la tapa.
- Abra el suministro de agua fría y deje que fluya a través del sistema durante 15 minutos. Busque cuidadosamente si hay fugas alrededor de los conectores y en el área de la abrazadera. En caso de escape de agua, cierre el suministro y desmonte las conexiones donde está la pérdida. Vuelva a ensamblarlas y ajuste con seguridad.

Reemplazo de la batería: El soporte de batería está ubicado debajo del indicador de vida útil del filtro junto al cable.

- Saque el soporte de batería deslizándolo hacia fuera como se muestra en la Figura 4.
- Deseche la batería usada y reemplácela por la nueva.

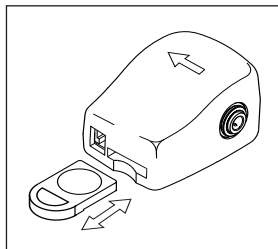


Figura 4

SOLUCIÓN DE PROBLEMAS

CONDICIÓN: Hay un sedimento blanco en el agua.

MOTIVO: Presencia de carbonato de calcio. Esto sucede cuando el agua se hierve o se congela y luego se descongela.

SOLUCIÓN: Esta condición es normal y no es necesario que tome ninguna medida.

CONDICIÓN: Los cubos de hielo no están transparentes en el centro.

MOTIVO: Se acumulan minerales en el centro de los cubos de hielo cuando el agua se congela.

SOLUCIÓN: Esta condición es normal y no es necesario que tome ninguna medida.

CONDICIÓN: El agua tiene un olor como a huevo podrido.

MOTIVO: Hay bacterias reductoras de azufre en el suministro de agua.

SOLUCIÓN: Mezcle una cucharada de peróxido de hidrógeno en una taza de agua tibia.

Levante la tapa del filtro y vierta el contenido en el recipiente. Vuelva a colocar la tapa del filtro. Deje actuar de 10 a 15 minutos y enjuague a fondo.

CONDICIÓN: El agua del sistema tiene partículas de óxido o es de color rojo.

MOTIVO: Hay un alto contenido de hierro soluble en su suministro de agua.

SOLUCIÓN: El sistema no está diseñado para eliminar el hierro soluble.

CONDICIÓN: Sale poca agua del grifo.

MOTIVO: Una cantidad excesiva de partículas en el agua puede haber causado un taponamiento. El suministro de agua de su área es deficiente.

SOLUCIÓN: Reemplace el cartucho del filtro.

Debido a la investigación y desarrollo continuos de productos, la apariencia o especificaciones finales pueden variar.

Manufactured by / Fabriqué par / Fabricado por: Nikken Inc.
52 Discovery, Irvine CA 92618

Nihon Kenko Zoushin Kenkyukai, Canada Corp.
6460 Kennedy Road, Unit C, Mississauga, Ontario L5T 2X4

www.nikken.com • © 2009 Nikken Inc. • Printed in USA / Imprimé aux États-Unis / Impreso en los EE.UU.

Reproduction of this printed literature is prohibited / Toute reproduction de ce matériel imprimé est strictement interdite / La reproducción de esta publicación impresa está prohibida.



NIKKEN